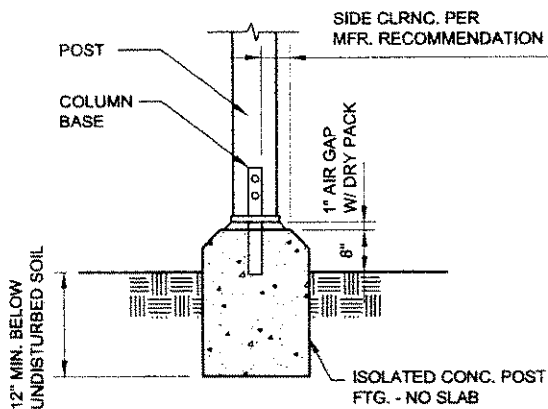
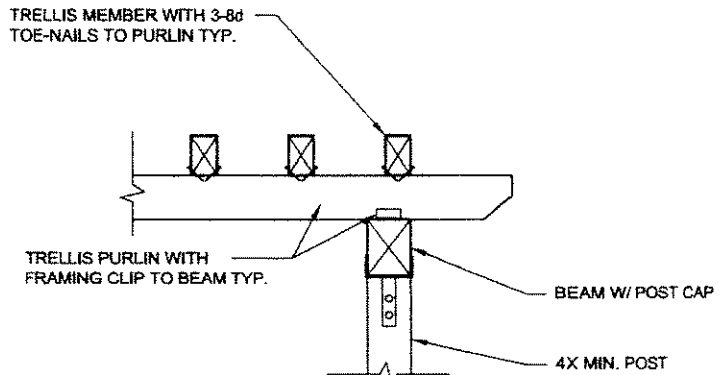


# Patio Covers Details & Notes

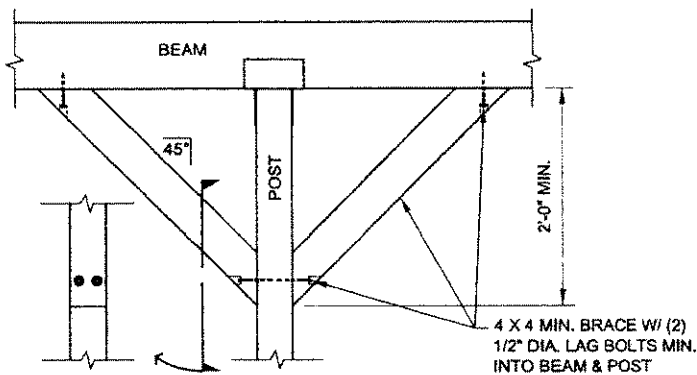
THIS DRAWING DEPICTS MINIMUM CODE REQUIREMENTS PER CRC INFORMATION IS FOR REFERENCE ONLY AND IS NOT A SUBSTITUTE FOR ACCURATE DRAWINGS PREPARED FOR EACH PROPOSED CONSTRUCTION PROJECT.



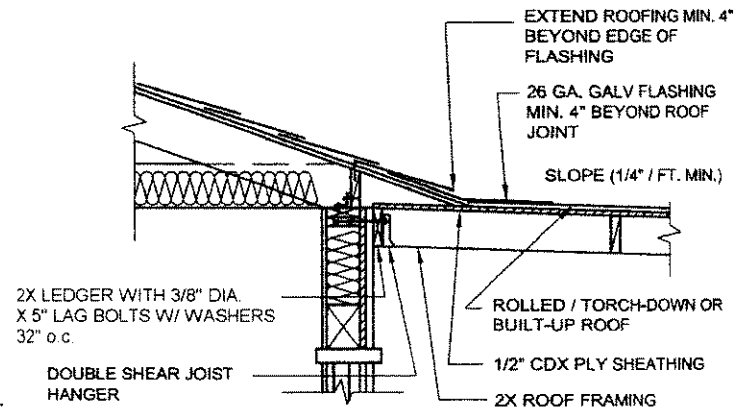
**ALT FOOTING DETAIL "A"**



**TRELLIS DETAIL "B"**



**KNEE BRACE DETAIL "C"**



**ALTERNATE CONNECTION DETAIL "D"**

SEE SHEET PC-1 FOR BALANCE OF INFO.

NOTE: FOR OTHER GRADES, SPECIES AND SPAN CONDITIONS, SEE FULL SCHEDULES IN CRC Chapter 8

**ALLOWABLE JOIST AND RAFTER SPANS**

DF/Larch #2 Nominal Size (Inches)	Spacing in Inches on center	Ceiling Joist (No stor) LL=10 psf, DL=10 psf L/defl = 240	Rafter LL=20 psf, DL=20 psf L/defl = 240 (recmnd)	Rafter LL=20 psf, DL=10 psf L/defl = 240 (recmnd)
2 x 4	12"	12 - 5	9 - 10	9 - 10
	16"	11 - 3	8 - 6	8 - 11
	24"	9 - 10	6 - 11	7 - 10
2 x 6	12"	19 - 6	14 - 4	15 - 6
	16"	17 - 8	12 - 5	14 - 1
	24"	14 - 0	10 - 2	11 - 9
2 x 8	12"	25 - 6	18 - 2	20 - 5
	16"	23 - 0	15 - 9	18 - 2
	24"	18 - 9	12 - 10	14 - 10
2 x 10	12"	Note a	22 - 3	25 - 8
	16"	Note a	19 - 3	22 - 3
	24"	22 - 11	15 - 8	18 - 2
2 x 12	12"	not in code	25 - 9	Note a
	16"	not in code	22 - 4	25 - 8
	24"	not in code	18 - 3	21 - 0

Note a: Exceeds probable availability (typically 24'-0" to 26'-0" max. length. Check local sources)

**ALLOWABLE BEAM SPANS  
(DF #1 OR BETTER)**

SPAN	BEAM SIZE
UP TO 4'-0"	4 x 4
4'-1" TO 6'-0"	4 x 6
6'-1" TO 8'-0"	4 x 8
8'-1" TO 10'-0"	4 x 10
10'-1" TO 12'-0"	4 x 12

NOTES:  
BEAM SIZES ARE BASED ON A MAXIMUM JOIST SPAN OF 20'-0" (10'-0" TRIBUTARY LOAD ON BEAM)

PROVIDE CONNECTION TO 4X MIN. POST PER SHEET PC-1

**FOOTINGS ON EXPANSIVE SOILS:**

Footing systems on expansive soil shall be constructed in a manner that will minimize damage to the structure from movement of the soil.

1. Depth of footings below the natural and finished grades shall not be less than 24" for exterior and 18" for interior footings.
2. Exterior walls and interior bearing walls shall be supported on continuous footings.
3. Footings shall be reinforced w/ 4- #4 bars. (2- ea. at 4" from top & bottom)
4. Concrete floor slabs on grade shall be placed on a 4" fill of coarse aggregate and/or on a moisture barrier membrane. The slabs shall be at least 4" thick and be reinforced with #3 or #4 bars at 16" o.c. each way.
5. The soil below an interior concrete slab shall be saturated with moisture to a depth of 18" prior to placing the concrete.

NAME, ADDRESS AND PHONE NO. OF DESIGNER  
XXX XXX XXX XXX  
XXX XXX XXX XXX

WET SIGNATURE OF DESIGNER ON EACH SHEET  
(AND PROFESSIONAL STAMP IF APPLICABLE)

**EXAMPLE  
RESIDENCE**

**ATTACHED  
PATIO COVER**  
SAMPLE DRAWING

SCALE: N.T.S.  
DATE:

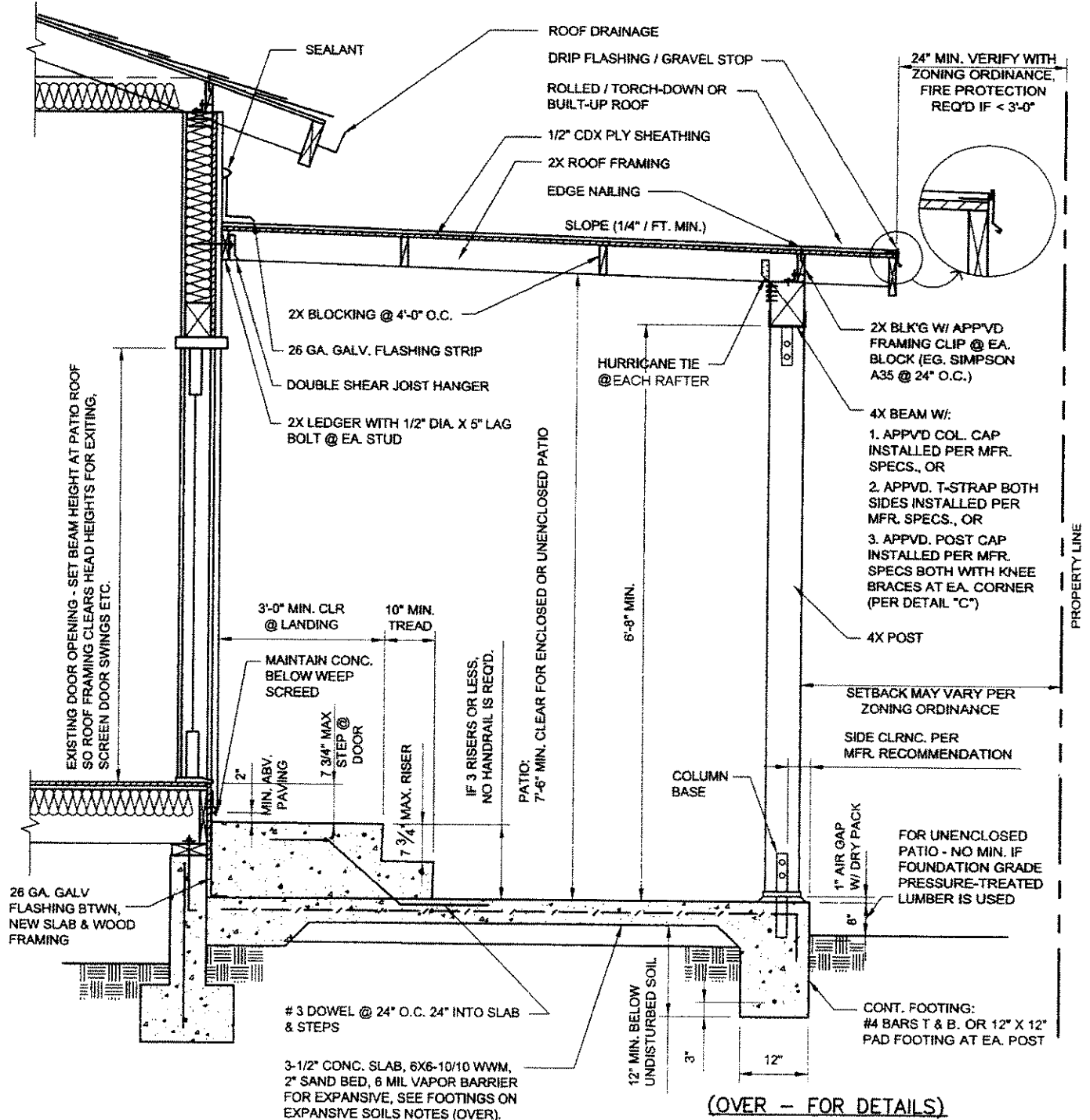
SHEET NO.  
**PC-2**

# Patio Cover Details

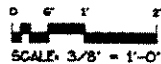
THIS DRAWING DEPICTS MINIMUM CODE REQUIREMENTS PER CRC INFORMATION IS FOR REFERENCE ONLY AND IS NOT A SUBSTITUTE FOR ACCURATE DRAWINGS PREPARED FOR EACH PROPOSED CONSTRUCTION PROJECT.

DEFINITION: CRC Appendix H - Patio Covers:

ONE STORY STRUCTURES NOT EXCEEDING 12 FEET IN HEIGHT. ENCLOSURE WALLS SHALL BE PERMITTED TO BE OF ANY CONFIGURATION, PROVIDED THE OPEN OR GLAZED AREA OF THE LONGER WALL AND ONE ADDITIONAL WALL IS EQUAL TO AT LEAST 65% OF THE AREA BELOW A MINIMUM OF 6'-8" OF EACH WALL, MEASURED FROM THE FLOOR.



Provide consistent Title Block on all sheets. Leave margin on all sides.



This scale is for example only. Use 1/2" or 3/4" = 1'-0". Typical min. sheet size is 11" x 17"

NAME, ADDRESS AND PHONE NO. OF DESIGNER  
 XXX XXX XXX XXX  
 XXX XXX XXX XXX

WET SIGNATURE OF DESIGNER ON EACH SHEET  
 (AND PROFESSIONAL STAMP IF APPLICABLE)

**EXAMPLE  
 RESIDENCE**

**ATTACHED  
 PATIO COVER**

SAMPLE DRAWING

SCALE: 3/8" = 1'-0"  
 DATE:

SHEET NO.

**PC-1**