

**GENERAL:**

Survey monuments shall include Subdivision Boundary Corners, Interior Boundary Corners, Witness Boundary Corners and Street Monuments.

**SURVEY MONUMENTS**

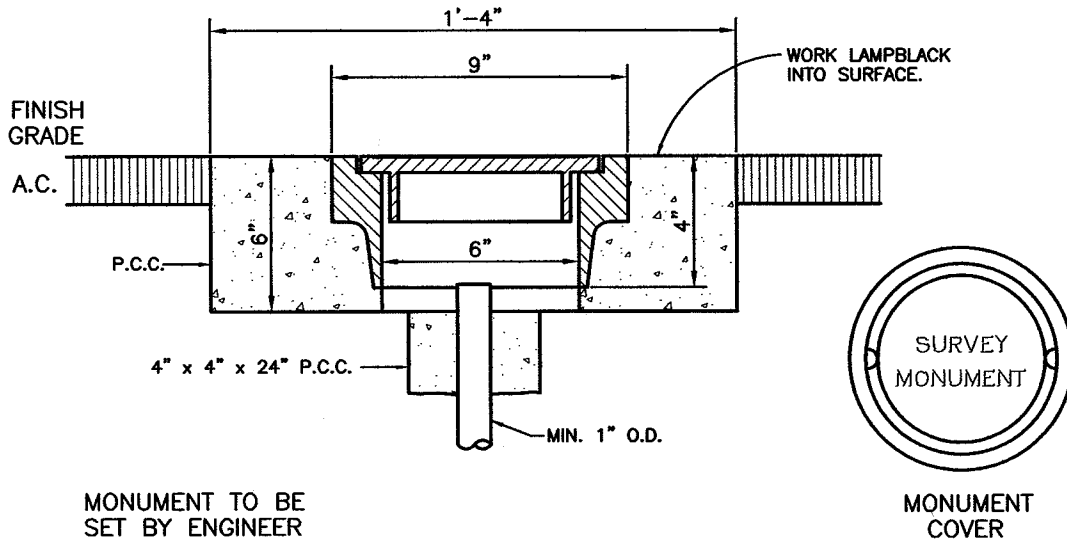
The boundary survey and final map shall be monumented with a "Durable monument" at each corner, angle point, beginning and end of a curve, and exterior boundary of the tract, including the Remainder.

"Durable monument" shall consist of one of the following:

1. A 1 inch O.D. (3/4 inch galvanized iron pipe) 24 inches in length, set 4 inches below finished grade, capped and tagged.
2. A lead plug not less than 3/4 inch in length and not less than 3/8 inches in diameter, set in a hole drilled in Portland cement concrete. A brass tag and pin shall be driven into the lead plug. Concrete epoxy maybe substituted for the lead plug.
3. Street Monuments shall be set at all street centerline intersection, angle points, center of cul-de-sac bulbs, beginning and end of a curve within the improvement. A capped or tagged 1 inch O.D. (3/4 inch galvanized iron pipe) 24 inches in length iron pipe shall be placed in the monument well and shall be incased in Class "B" concrete, poured in place, with minimum dimensions shown in drawing. The monument well shall be placed before the concrete has acquired it's initial set and shall be firmly embedded in the concrete. Monuments shall be visibly tagged or stamped with the certificate number of the surveyor or engineer setting it.

In paved areas, a standard monument box is required, with 1/2 inch lettering "SURVEY MONUMENT" on cover. Frame to be set in 5-sack concrete mix (Class "B" per State Specifications) 16 inches in diameter by 6 inches deep, matching pavement grades. Use California Concrete Pipe Corp A-581 "Survey Monument Assy. - 6 Dia.", or equal.

The Registration number of engineer or the license number of the surveyor shall be permanently indicated on the monuments cap or tag. The cap or tag shall also include a hole or marking to designate the survey point.



ENGINEERING DEPARTMENT		CITY OF MERCED, CA.
<b>SURVEY MONUMENTATION</b>		M-5
DRAWN: KGE	APPROVED BY: <i>[Signature]</i>	DATE: 3/17/08
DATE: 5/94	CITY ENGINEER	SHEET OF
REVISED: 3/17/08		