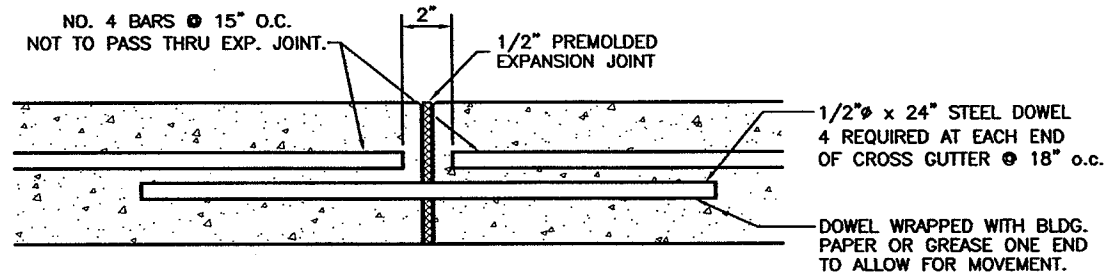
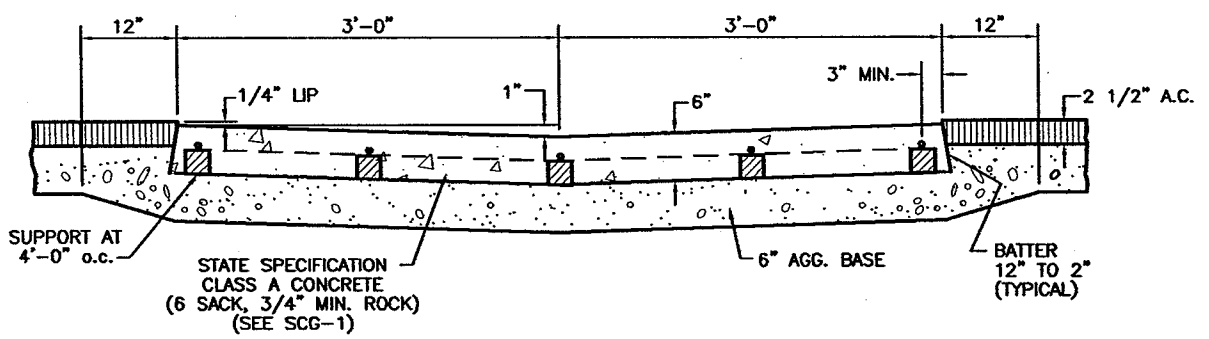


**PLAN**



**SECTION A-A**



**SECTION B-B**

**NOTES:**

1. AGGREGATE BASE TO EXTEND TO ENDS OF CURB RETURNS (95% RELATIVE COMPACTION).
2. CROSS GUTTER SHALL HAVE 0.40 FEET MIN. FALL BETWEEN ENDS OF RETURNS, OR  $S=.005$  WHEN LENGTH BETWEEN ENDS OF RETURNS IS MORE THAN 90 FEET.

ENGINEERING DEPARTMENT		CITY OF MERCED, CA.	
<b>CROSS GUTTER</b>			
DRAWN: KGE	APPROVED BY: <i>David L. Tucker</i>	DATE: 01/22/02	<b>SCG-3</b>
ENG.	CITY ENGINEER		
REVISED: 1/01			SHEET OF