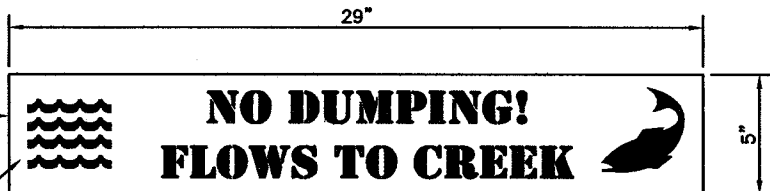
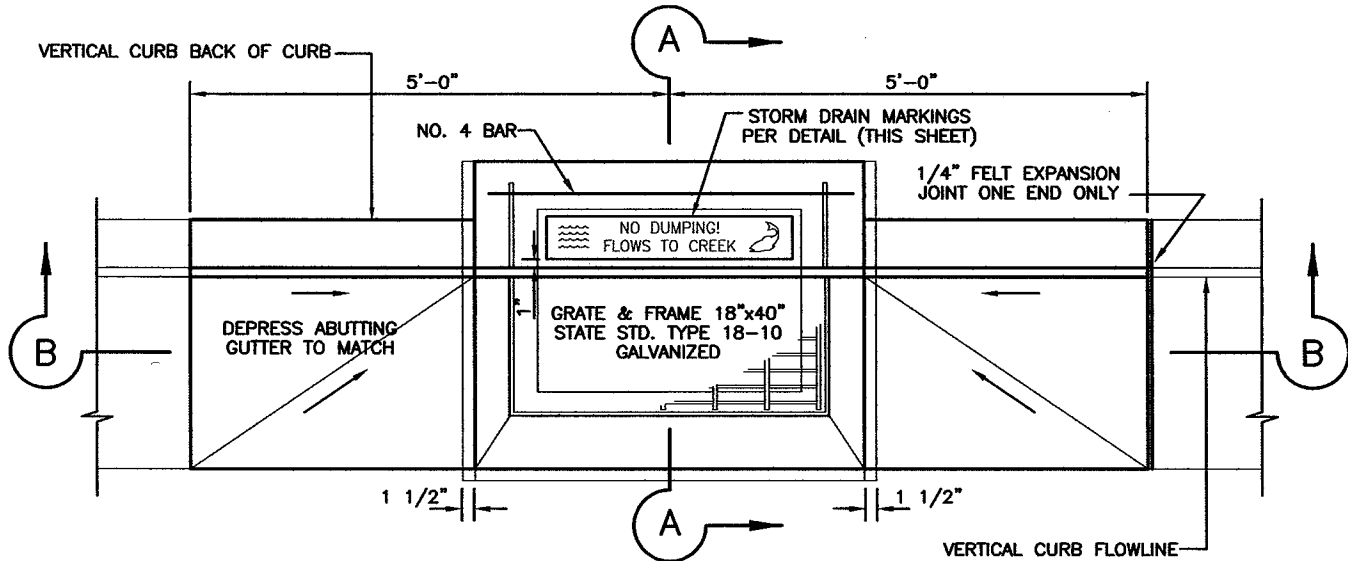


"PREMARK" ITEM NO. 891820101
 THERMOPLASTIC STORM DRAIN MARKING BY
 FLINT TRADING, INC. (OR APPROVED EQUAL).
 INSTALLATION PER MFG. RECOMMENDATIONS.

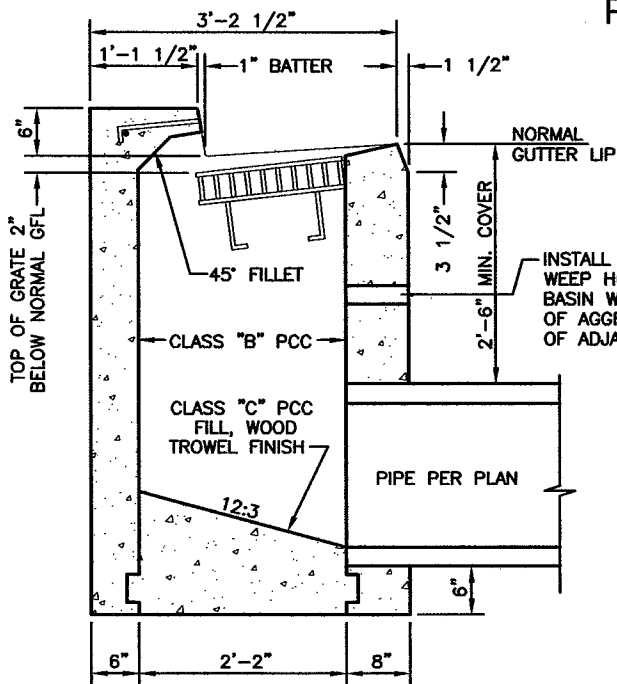
BLUE TEXT/OBJECTS WITH
 WHITE BACKGROUND



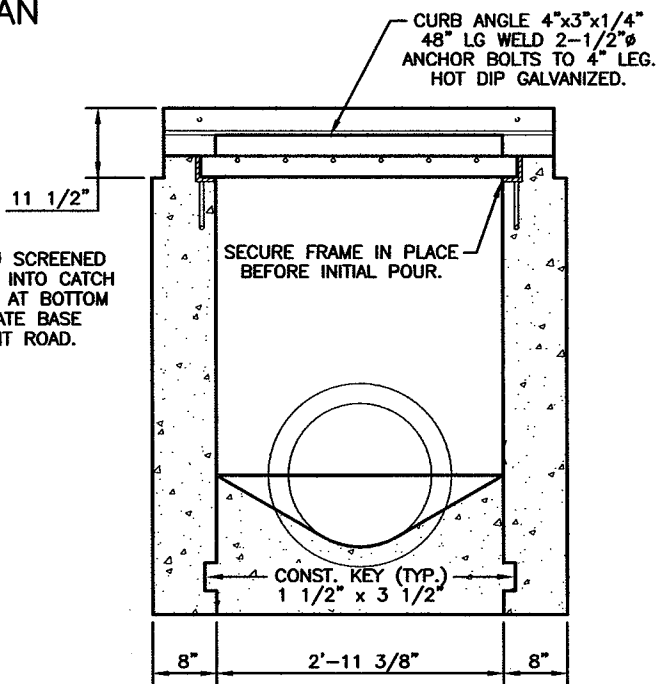
STORM DRAIN MARKINGS DETAIL



PLAN



SECTION A-A



SECTION B-B

NOTE:

REINFORCING NOT REQUIRED IF INVERT IS LESS THAN 8'
 DEEP, OTHERWISE USE NO.4 BARS @ 18" o.c. BOTH WAYS.

NOT TO SCALE

ENGINEERING DEPARTMENT

CITY OF MERCED, CA.

TYPE "C" CATCH BASIN

SD-3

DRAWN: KGE

APPROVED BY

DATE

DATE: 1/02

David L. Tucker

3/17/08

REVISED: 3/17/08

CITY ENGINEER

SHEET

OF