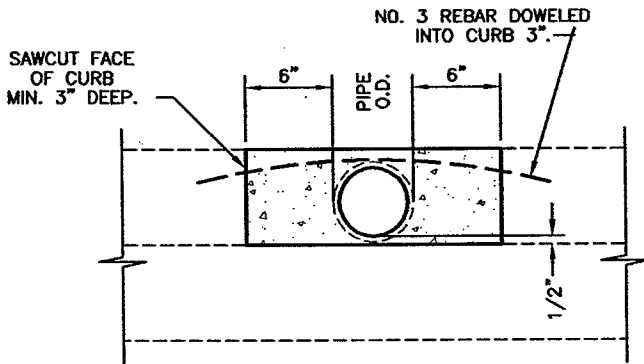


PLAN

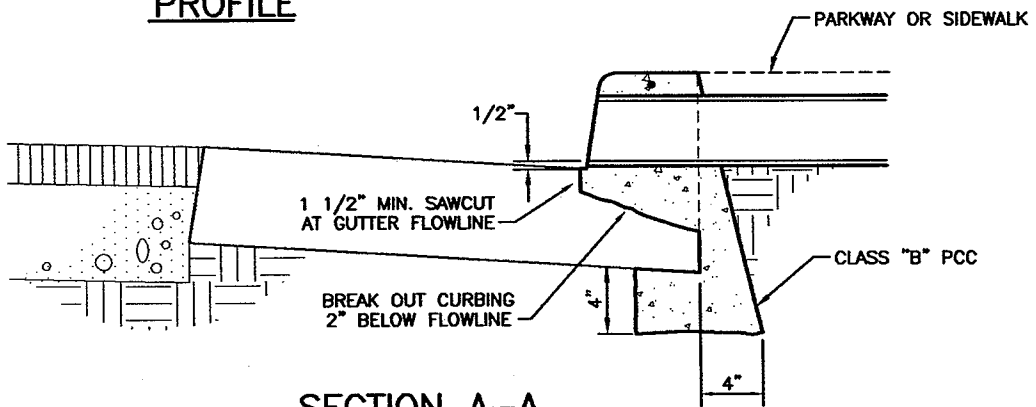
NOTES:

1. 3" MAXIMUM PIPE DIAMETER IN 6" HIGH CURB.
4" MAXIMUM PIPE DIAMETER IN 8" HIGH CURB.
2. MAXIMUM OF TWO PIPES MAY BE USED AT ONE LOCATION, MAINTAINING A MINIMUM OF 2" BETWEEN EACH PIPE. A MAXIMUM OF TWO 3"x6" RECTANGULAR TUBES MAY BE USED IN LIEU OF PIPE.
3. PIPE MATERIALS: STEEL, DUCTILE IRON, SCHD. 40 PVC, OR ABS PIPE.
4. CONTRACTOR CAN BORE THROUGH CURB (3" DIA. MAX.) AND GROUT, AS AN ALTERNATE.
5. U.B.C. SECTION 1506.5 REQUIRES CURB DRAIN FOR ROOF DRAINAGE, EXCEPT ON A SINGLE FAMILY OR DUPLEX LOT.
6. CURB DRAIN MAY ALSO BE REQUIRED PURSUANT TO M.M.C. 17.04.090.
7. ON-SITE DRAINAGE ACROSS SIDEWALK IS NOT ALLOWED.
8. CURB DRAIN CONSTRUCTION DOES REQUIRE AN ENCROACHMENT PERMIT.



PROFILE

NOT TO SCALE



SECTION A-A

ENGINEERING DEPARTMENT		CITY OF MERCED, CA.	
CURB DRAIN			SD-5
DRAWN: KGE	APPROVED BY: <i>David L. Tucker</i>	DATE: 01/27/02	SHEET _____ OF _____
DATE: 1/02	CITY ENGINEER		
REVISED:			